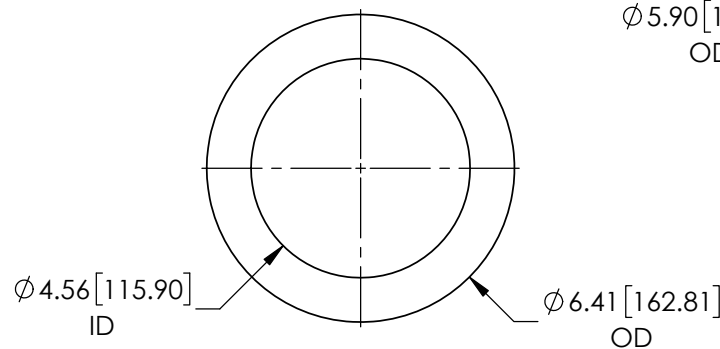
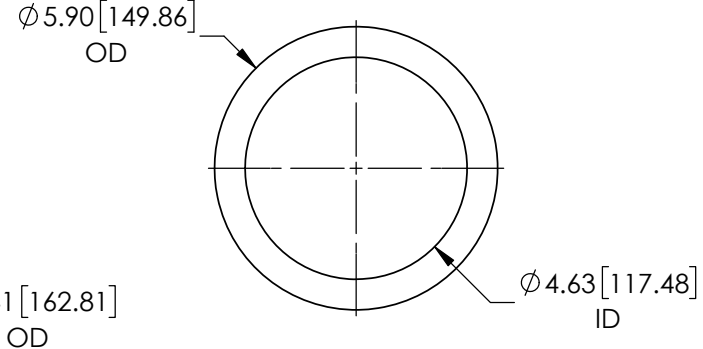


ROOF MOUNTING FLANGE
 REQ'D: 2 PER ASSY
 MAT'L: ALUMINUM

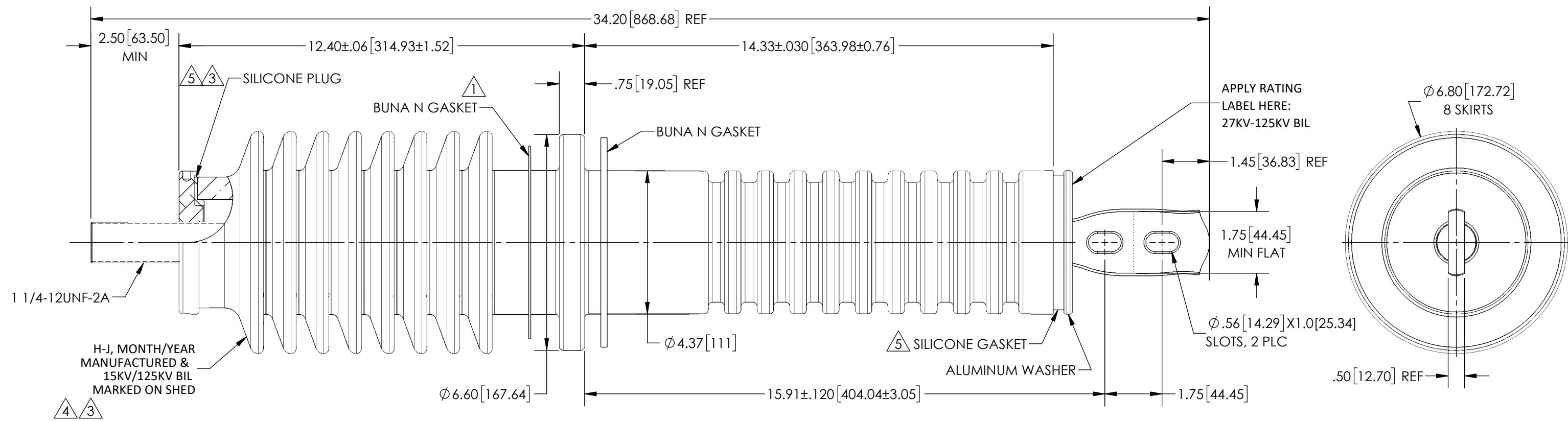


BUSHING TO ROOF GASKET
 REQ'D: 1 PER ASSY
 MAT'L: .19" ± .020 THK NITRILE BUNA N



FLANGE TO CLAMP GASKET
 REQ'D: 1 PER ASSY
 MAT'L: .063" ± .015 THK NITRILE BUNA N

REVISIONS					
REV.	DATE	ECN #	DESCRIPTION	BY	APP'D
1	9/26/07	HJ07-153	ADDED GASKET	SMM	JM
2	10/15/07	HJ07-102	CHG'D RATING, WAS 15KV-125BIL	CJT	JM
3	3/31/2015	HJ15-077	ADDED GASKET. ADDED LABEL NOTE. SW REDRAW. REFORMATTED TO C-SIZE	TJF	BLB
4	2/25/2016	HJ16-028	REM LABEL NOTE. EDITED NOTE. REFORMATTED DWG TO B-SIZE	TJF	BLB
5	8/4/2023	HJ23-165	REPLACED SEVERAL COMPONENTS	OAD	CJT



- PORCELAIN NOTES:**
1. WET PROCESS ELECTRICAL PORCELAIN
 2. GRAY GLAZE MUNSELL 5BG 7.0/0.4
 3. TOLERANCE ± 3% WITH NOTHING LESS THAN ± .03, UNLESS OTHERWISE NOTED ON DRAWING
 4. TOP & BOTTOM TERMINALS ARE TIN PLATED
 5. FOR AIR-TO-AIR APPLICATION.
 6. ELECTRICAL REQUIREMENTS:
 MIN CREEPAGE: > 24.50" TOP
 > 18.25" BOTTOM

DIELECTRIC:

MAX KV.....	15KV
FULL WAVE.....	110KV BIL
60HZ WITHSTAND....	50KV DRY
	45KV WET
MAX KV.....	27KV
FULL WAVE.....	125KV BIL
60HZ WITHSTAND....	60KV DRY
	50KV WET

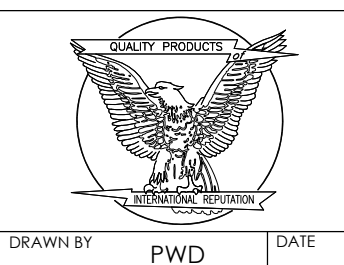
THIRD ANGLE

TOLERANCES (EXCEPT AS NOTED)

DECIMAL	± .032"/.8mm
FRACTIONAL	±
ANGULAR	± 2 Degrees

PROPRIETARY AND CONFIDENTIAL

THE INFORMATION CONTAINED IN THIS DRAWING IS THE SOLE PROPERTY OF THE H-J FAMILY OF COMPANIES. ANY REPRODUCTION IN PART OR AS A WHOLE WITHOUT THE WRITTEN PERMISSION OF THE H-J FAMILY OF COMPANIES IS PROHIBITED.



THE H-J FAMILY OF COMPANIES
 3010 HIGH RIDGE BLVD. HIGH RIDGE, MO. 63049 USA
 PHONE 1-636-677-3421 FAX 1-636-677-7808

15KV-110KV BIL/27KV-125KV BIL 1250A PORCELAIN BUSHING ASSEMBLY

MATERIAL SEE DRAWING

CHK'D CJT APP'D 8/4/23 DRAWING NO. AS1423-005

SCALE N.T.S.

DRAWN BY PWD DATE 8/4/06